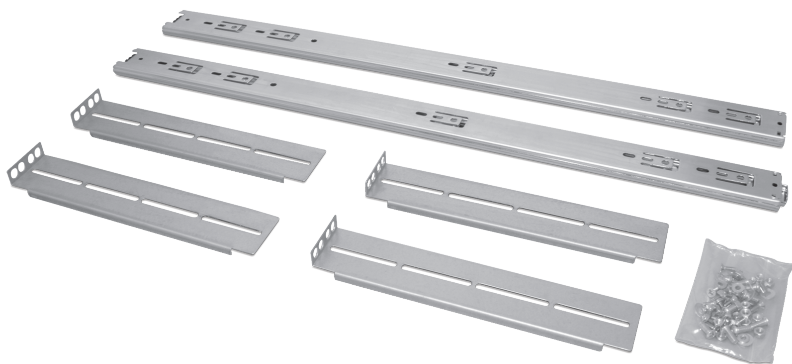


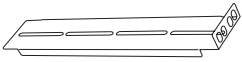

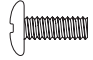


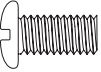


Rosewill[®]



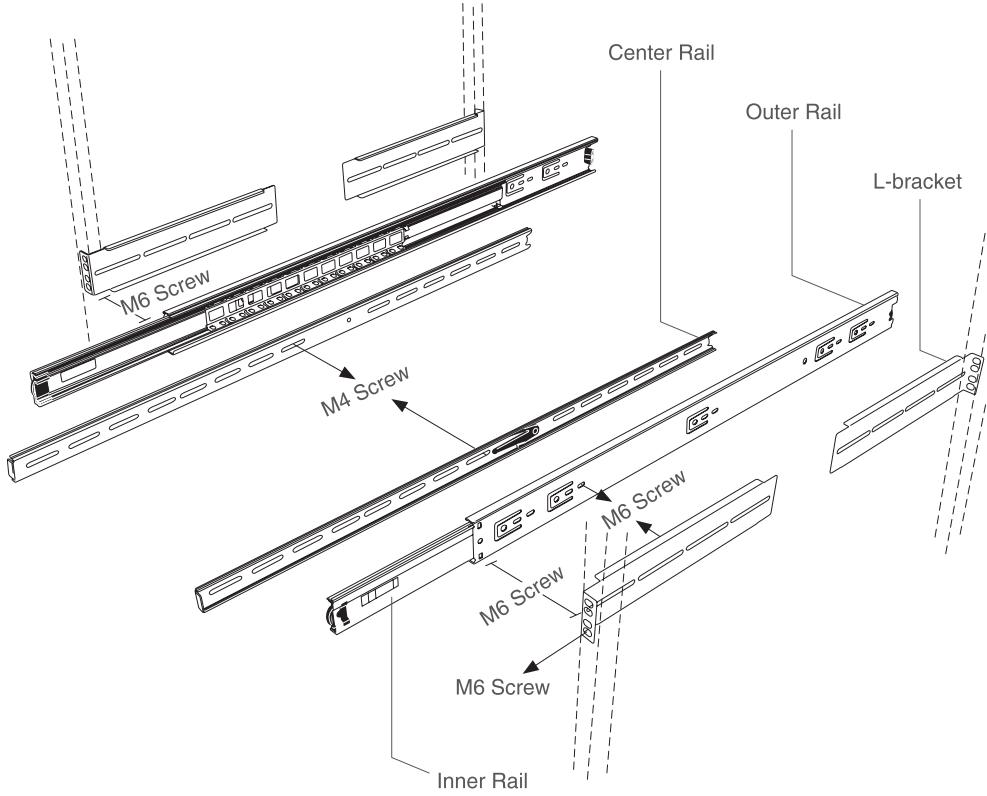
Server Rack-mount Sliding Rail Kit
RSV-R27LX

User Manual

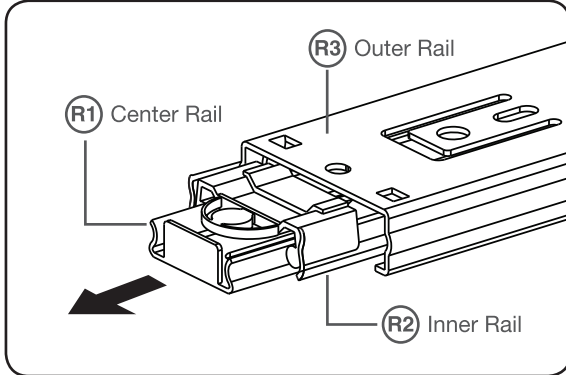
Kit Contents

Item	Photo		
L-bracket *4 pcs			
Slide Rail *2 pcs			
M4 Screw Pack	M4 Screw *8 pcs 	M4 Washer *8 pcs 	M4 Nut *8 pcs 
M6 Screw Pack	M6 Screw *16 pcs 	M6 Washer *16 pcs 	M6 Nut *16 pcs 

Overview

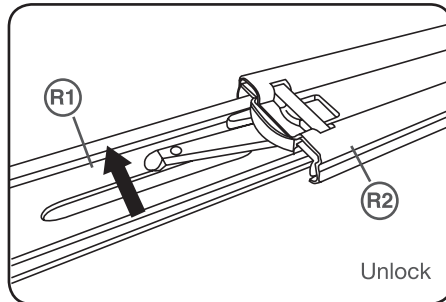
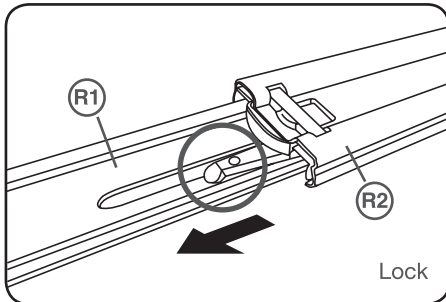


1 Slide Rail Structure



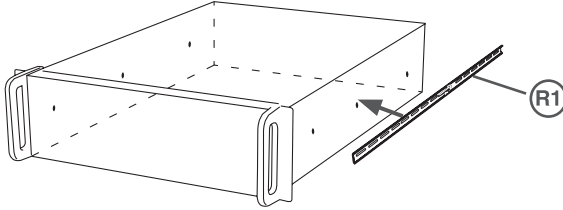
The slide rail is consist of three rails: (R1) Center Rail, (R2) Inner Rail, (R3) Outer Rail

2 Separating the Center Rail



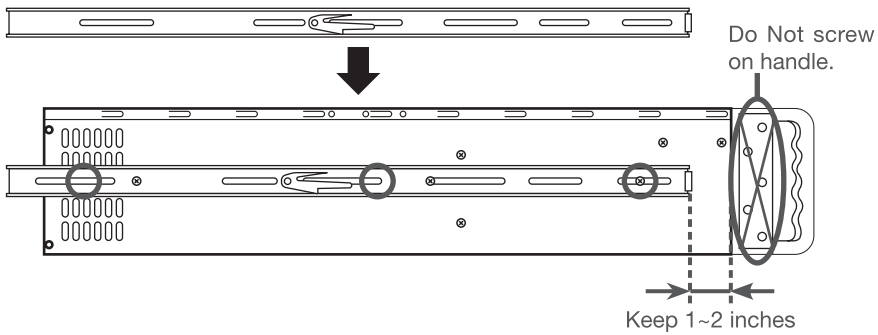
Pull (R1) all the way out to its maximum slide position. Locate and release the locking lever by sliding it upward. This will release (R1) from (R2).

3 Installing the Center Rail

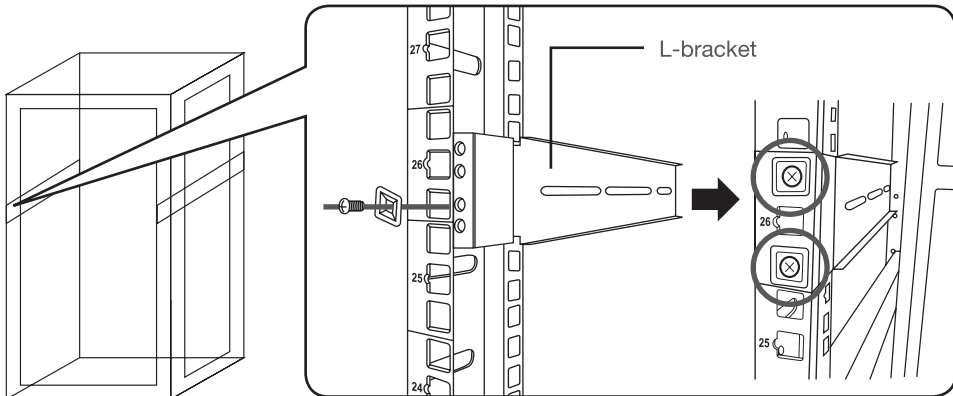


Place and align (R1) with mounting points on the server chassis and install it using M4 Screw pack.

Note: Do not screw on the handles. Keep the center rail 1 to 2 inches away from the handles for better fits.



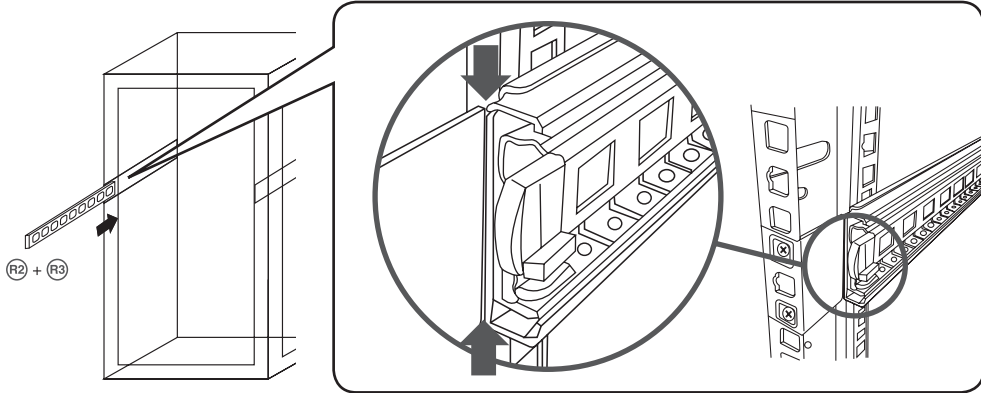
4 Installing the L-Bracket



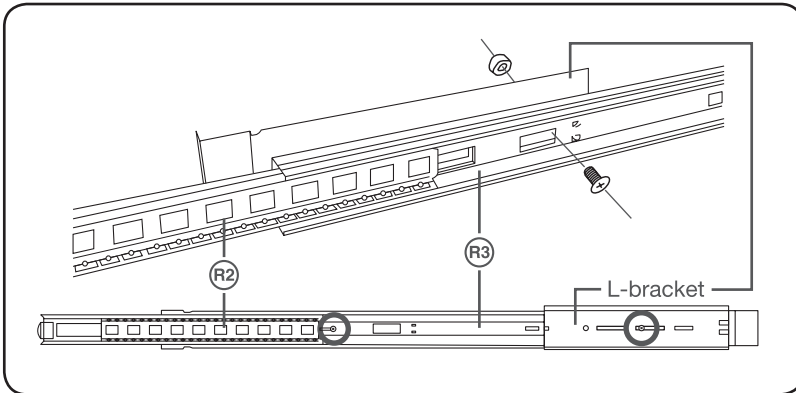
Install the L-bracket on the cabinet frame using M6 Screw pack.

Note: Please make sure to tighten all the screws until they are snug. Do not over tighten.

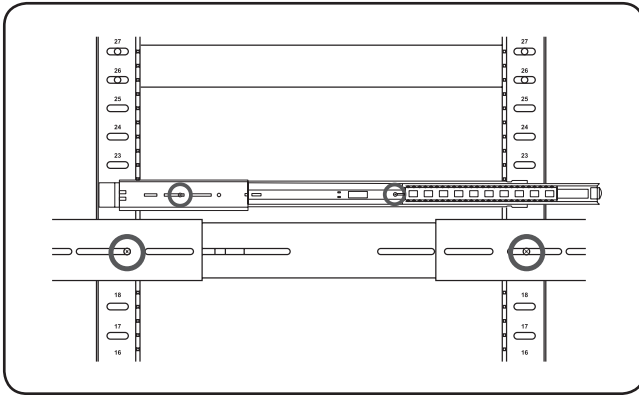
5 Installing the Slide Rail



Align and slide the tip of the slide rail (R2 + R3) into the L-bracket between the two arrows.

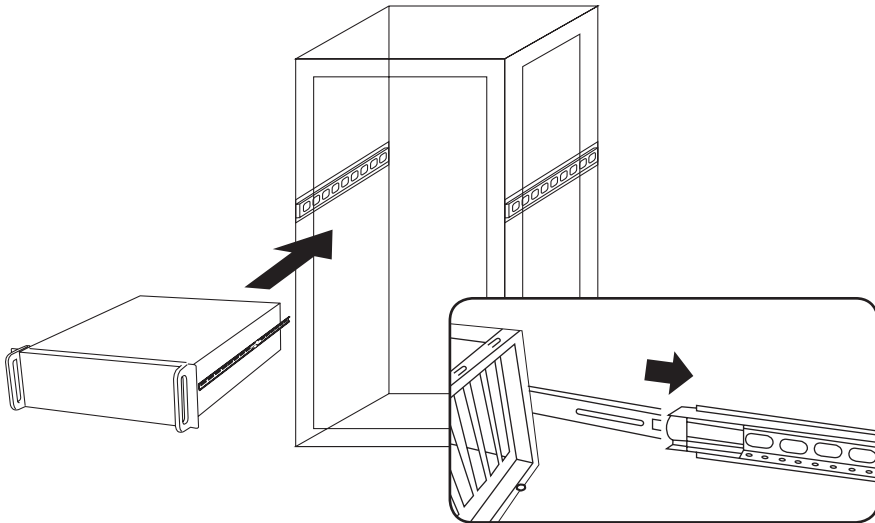


Install the outer rail (R3) on to the L-bracket using **M6 Screw pack** .
 Now the L-bracket, (R2) and (R3) should be well installed on the rack.



Repeat the step 2 through 5 to install another outer rail.

6 Installing the Chassis



Slide the server chassis into position by aligning and sliding (R1) onto the slide rail ((R2) and (R3)) on the rack.



Rosewill® Technical Support Information
techsupport@rosewill.com 1-800-575-9885

*Thank you for purchasing a quality Rosewill product.
Please register your product at: www.rosewill.com
for complete warranty information and support for your product.*