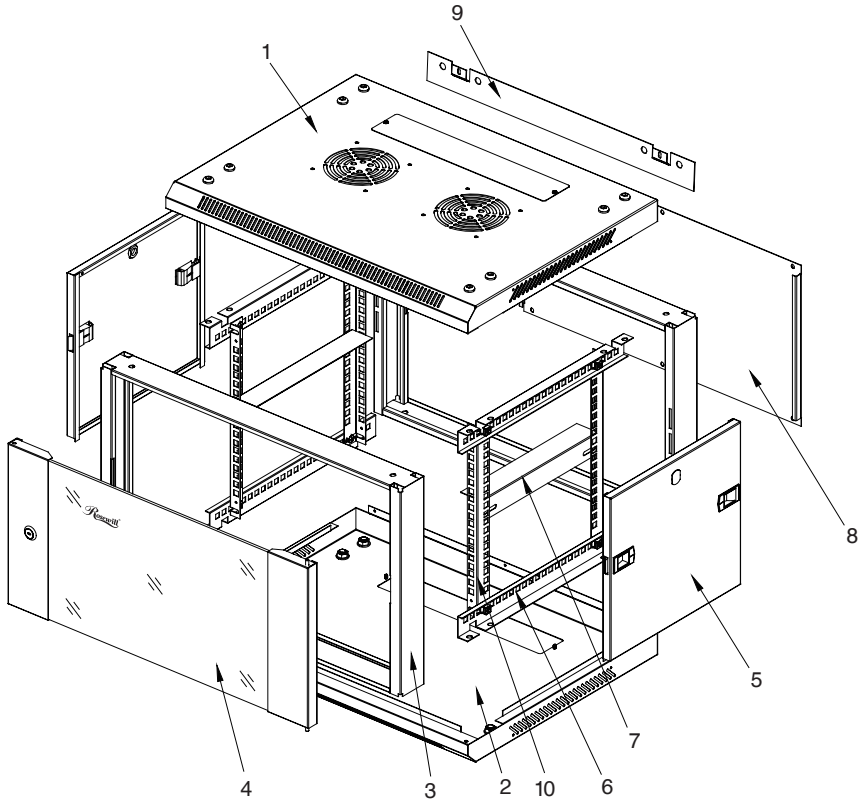


Server Wall Mount Cabinet Series

RSM-6U001/9U001/12U001

User Manual

We'll continue to improve the user manual and update it on Rosewill.com, any feedback from you will be appreciated.



*** It shows 6U Wall Mount of Cabinet Series for Demonstration.**

Packaging List

1. Top Panel	1pc	6. Horizontal Beams	4pcs
2. Bottom Panel	1pc	7. L Type Mounting Brackets	2pcs
3. Frames	2pcs	8. Back Panel	1pc
4. Front Door	1pc	9. Mounting Bracket	1pc
5. Side Panels	2pcs	10. Vertical Mounting Rails	4pcs

Item List of Accessories Packaging

Assembly Hardwares Kits:

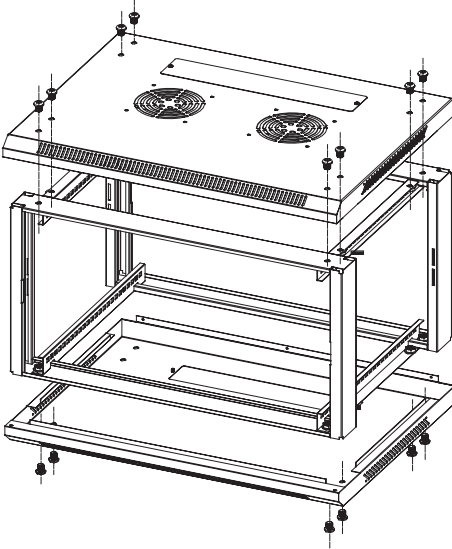
A.M8*12 Inner Hexagon Screw	16pcs	D. White Plastic Washer	1pc
B.M8 Flange Nut	16pcs	E. M6*12 Cage nut	12sets
C.M4*8 Self-tapping Screw	12pcs		

Note: The unit product came with assembly unit,so all the above items are fully assembly. Only below items are the hardware packed inside the unit rack.

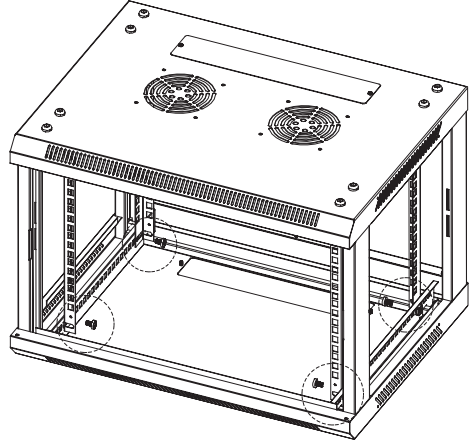
Equipment Mounting Hardware Kits:

E.M6*12 Cage nut	20sets	F.Keys	2pcs
------------------	--------	--------	------

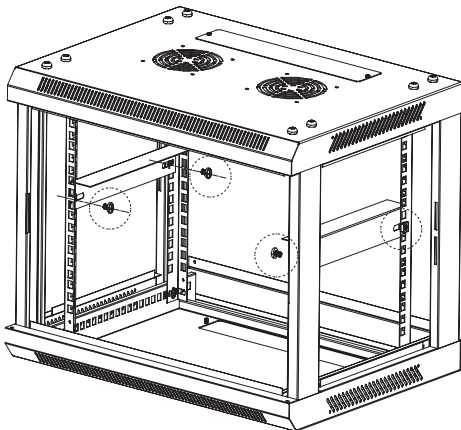
- (1) Assemble the top panel, frames and horizontal beams by 16pcs M8*12 inner hexagonal screws and 16pcs M8 flange nuts.



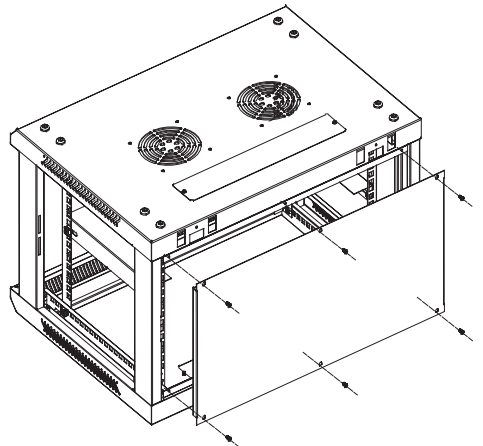
- (2) Install the vertical rails by 8pcs M6*12 screws and 8pcs M6 cage nuts



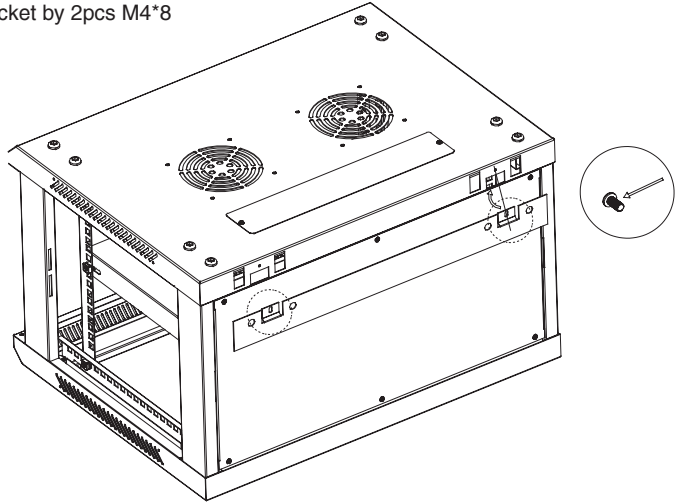
- (3) Assemble the L type mounting brackets by 4pcs M6*12 screws and 4pcs M6 cage nuts.



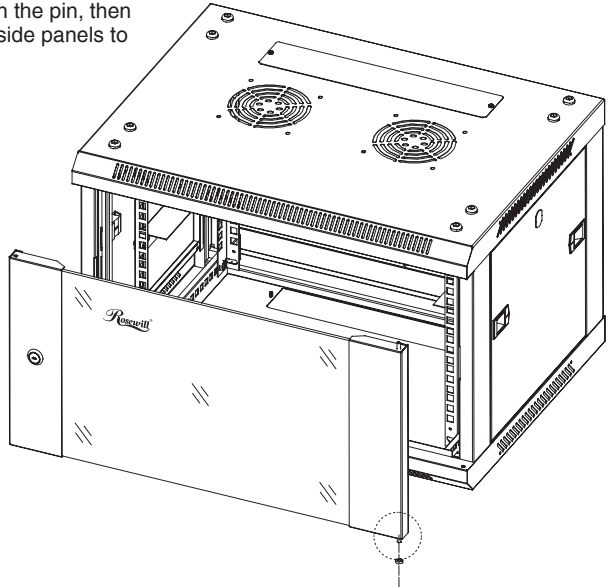
- (4) Assemble the back panel by 6pcs M4*8 self-tapping screws.



- (5) Assemble the mounting bracket by 2pcs M4*8 self-tapping screws.



- (6) Put the 1pc white plastic washer on the pin, then assemble the front door and 2pcs side panels to the unit.



Note:

- After assembly, please adjust the diagonal size of the cabinet to ensure homogeneous space for all doors and all doors work well.
- It supports two 120 x 120 mm fans for optional.

Rosewill® Technical Support Information
techsupport@rosewill.com 1-800-575-9885

Thank you for purchasing a quality Rosewill product.
Please register your product at: www.rosewill.com
for complete warranty information and support for your product.