

Rosewill[®]



High Performance CPU Cooler

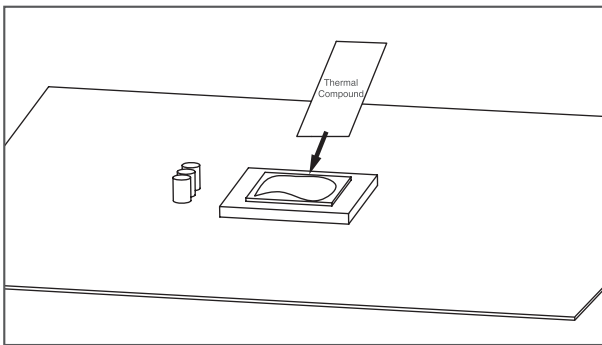
Blue LED silent 92mm PWM Fan & 3 Direct Contact Heatpipe

ROCC-16003

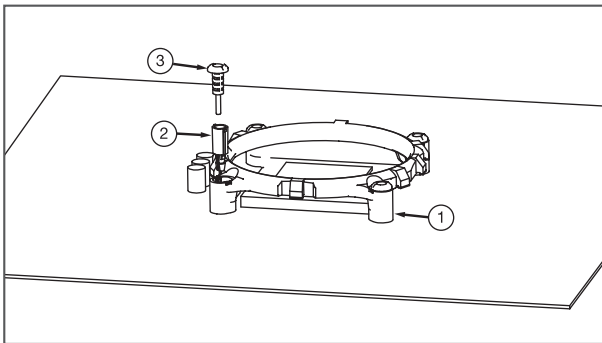
User Manual

Installation Steps

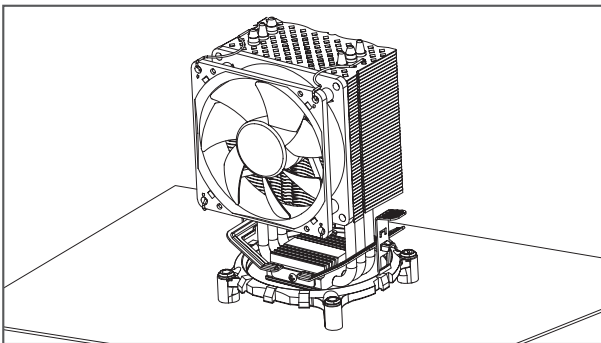
1. Apply the thermal compound on the CPU processor.



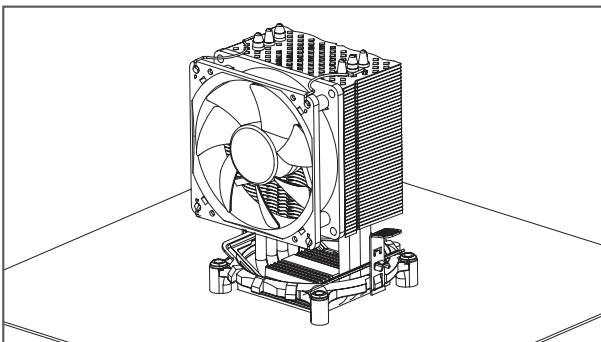
2. The stand has 775/115X/1366 flexible hole positions, please install it in proper holes with push pins.



3. Install the cooler on the CPU.



4. Press the bracket to bottom.





Rosewill[®] **Technical Support Information**
techsupport@rosewill.com 1-800-575-9885

*Thank you for purchasing a quality Rosewill product.
Please register your product at: www.rosewill.com
for complete warranty information and support for your product.*