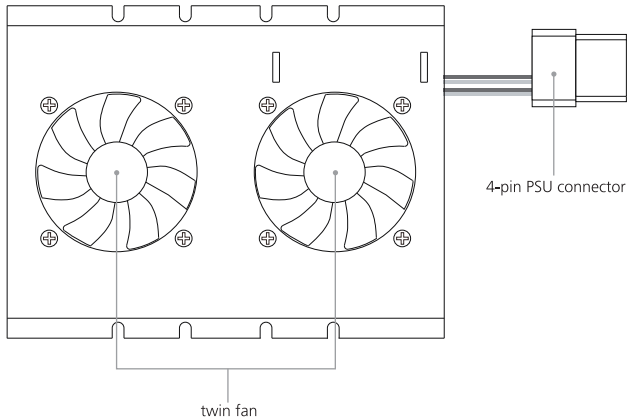




Hard Drive Cooler RFHD-50BK/BL
User Manual



- Turn off computer. Disconnect power at source. Do the same with related devices
- Remove computer case side panel. Remove hard drive from chassis
- Attach the Rosewill Hard Drive Cooler to hard drive with the four screws provided
- Screw down vertically and tighten. Re-install hard disk to chassis
- Connect power cable to a 4-pin PSU connector. Turn on computer



Features

- Black / Blue hard drive cooler with 2 x 50mm fans
- Extends the life of the hard drive
- Directly fits onto 3.5" hard drive
- Air Flow : 2 x 4.95 CFM. 1.82mmH2O
- Noise Level : 23.22 dBA

RFHD-50BK/BL

Fan Size	50 x 10 mm x 2 fans
Bearing Type	Sleeve for over 30000/hrs
RPM	4500 \pm 10% RPM
Air Flow	2 x 4.95 CFM. 1.82mmH2O
Noise Level	23.22 dBA

Thank you for purchasing a High-Quality Rosewill Product.

Please register your product at : www.rosewill.com

for complete warranty information and future support for your product.

If you have any question while using our products, please visit our website : www.rosewill.com

for latest driver & user manual or feel free to contact us at feedback@rosewill.com

Support Email: techsupport@rosewill.com