

Rosewill[®]

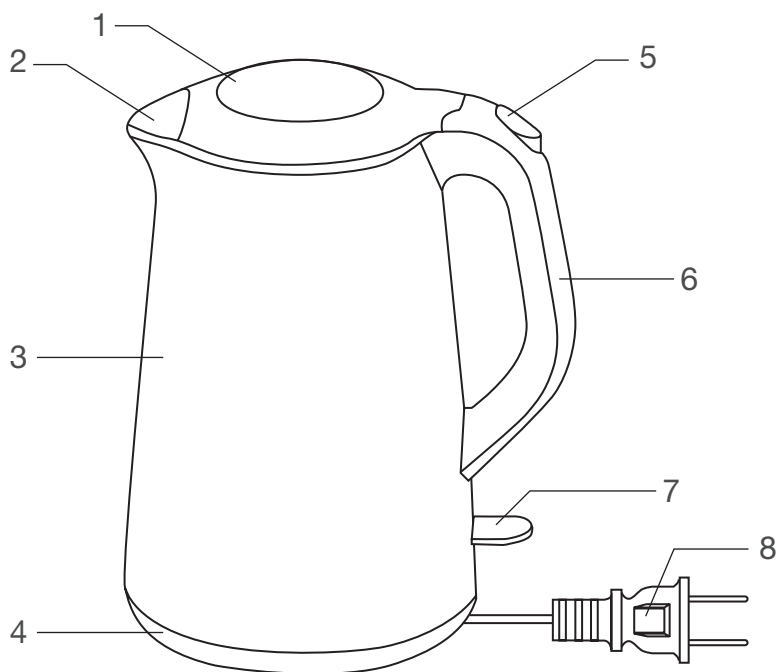


WATER KETTLE RHKT-15001 (white)
RHKT-15002 (black)

Instruction Manual

Before using this appliance for the first time, please read this instruction manual carefully and keep it for future reference.

PARTS DESCRIPTION



- | | |
|----------------|--------------------------|
| 1. Kettle lid | 5. Lid Open/Close button |
| 2. Spout | 6. Handle |
| 3. Kettle body | 7. On/Off Switch |
| 4. Power base | 8. Power cord with plug |

SAFETY PRECAUTIONS

When using any electrical appliance, basic safety precautions should always be followed. Please read and observe the following:

1. Read the instructions carefully before using this appliance.
 2. Verify the power voltage conforms to the kettle voltage marked on the label.
 3. Use the kettle on flat stable surface, away from any heat source (flame, cooktop, and microwave).
 4. Do not place the kettle in a wet area or in water. Do not operate it with wet hands.
 5. Only use this to heat water. Use indoors only. Not for outdoor environments.
 6. Do not fill the kettle above the MAX water level (1.5 L / 6 cups), otherwise boiling water may overflow.
 7. Do not turn ON unless the kettle contains at least 0.5 L / 2 cups of water.
 8. Do not open the lid while the kettle is in use. Escaping hot vapour will cause scalding.
 9. Check that the lid is securely shut before you turn the kettle on, otherwise it may not trigger the auto shut-off and allow the kettle to boil dry. (This will start the auto "dry-boil, shut-off" function.)
 10. Check to make sure the kettle is secured to the base before it is turned on. Only use the base provided.
 11. Do not leave an unattended kettle, and do not allow unsupervised children near the kettle while it is in use.
 12. A short cord is purposely included to reduce accidents. Ensure that the cord is safely placed where it cannot accidentally get hooked and drag the kettle over.
 13. Watch that the cord does not touch hot surfaces and is away from stoves and burners.
 14. Keep the kettle cable away from heat, direct sunlight, moisture, sharp edges, and anything that can cause damage.
 15. To reduce the risk of electric shock, do not expose the motor assembly or insert anything into any holes or slots.
 16. Unplug the kettle when not in use. Confirm it is disconnected before you clean it.
 17. Never immerse the unit in water or an automatic washer for cleaning purposes.
- * Do not allow liquid to penetrate into the electrical parts of this kettle and cord.**
18. Remove the cord by holding and pulling the connector. Never pull on directly the cord.
 19. DO NOT carry the appliance by the power cord.
 20. The use of an extension cord with this appliance is not recommended. However, if it is necessary, safely place the extension cord where it cannot be tripped over. Secure and hide the extension cord from children and animals. Make sure it is away from heat.
 21. Confirm that the switch is OFF after each use.
 22. This appliance must not be operated by an external timer or remote control system.
 23. The manufacturer does not accept responsibility for any damage or injury caused by incorrect use or repairs carried out by unauthorised personnel.
 24. In case of technical problems, turn off the machine and do not attempt to repair it yourself. Contact 1-800-575-9885

OPERATING INSTRUCTIONS

Carefully remove your kettle from the box. You may wish to retain the packaging for further use.

CLEANING BEFORE USING

- Before your first use, fill the kettle with cold water to the MAX water level mark, bring to a boil, and discard the boiling water – do this twice.

This will ensure that any residue left over from the manufacturing process is completely removed.

POSITIONING THE KETTLE

- Find a flat sturdy surface near a wall outlet, safe from any direct heat source.
The underside of the power base is fitted with a cable storage feature. This is where you wind and unwind the cord before and after use.
- Unwind the cable and plug it into the electrical socket.
- Ensure the cable does not hang over any edge or can get snagged.

FILLING THE KETTLE

- Remove the kettle from the power base.
- Open the lid by pressing the lid Open/Close button on the handle.
- Fill the kettle between the MIN and MAX markings on the water level indicator with cold water.
- Close the lid and firmly seat the kettle back on its power base. Make sure the lid is securely closed before boiling.

**** Always remove the kettle from the power base before filling to ensure water does not get into the electrical circuitry of the base. Do not fill the kettle above the MAX mark.***

OPERATING YOUR KETTLE

- Connect the power cord into a 120V power outlet.
- Turn your kettle ON. The LED will light, indicating that the process has begun.
- The kettle's "auto shut-off" function will launch after the water has boiled. You can stop the boiling process at any time by lifting the on/off switch to the "0" (off) position or lifting the kettle off the base.
- Unplug the kettle.
- Remove the kettle from the power base.
- Carefully pour the water.
- Return the kettle to the base.

GENERAL

The spout cover opens and closes during pouring. When the spout cover closes, it retains the heat inside and helps keep the water warm.

**** Beware of Hot Steam Escaping from the Lid***

The kettle has a seamless 304 stainless steel interior for quick boiling and cool touch exterior which makes the kettle safe to touch.

- Always remove the kettle from the base before pouring.
- To avoid splash, pour slowly and do not over-tilt the kettle.
- Do not tilt the kettle backward - water might get on to the control area. If this happens, let the kettle dry thoroughly before use. Place it somewhere warm and dry for 12 hours.
- When you lift the kettle, you may see moisture on the base. Do not worry, it's the steam used for auto shut-off, which then condenses and escapes via vents under the kettle.
- You may see some discoloration on the floor of the kettle. Again, do not worry, it's the bonding element on the kettle floor.

CLEANING AND MAINTENANCE

- This appliance is for household, personal use only.
- Do not open, change, or service any parts yourself. Please refer to a qualified electrical service department or return to the supplier if servicing is necessary.
- Unplug the base from the wall socket, and let the kettle cool down before cleaning.
- To remove stubborn spots and marks, wipe the surface with a cloth slightly dampened in soapy water or mild non-abrasive cleaner. Rinse and dry with a clean, dry, soft cloth.
- Wipe the kettle, inside and out, with a damp cloth. You may use a little household detergent, but if you do, rinse well to avoid tainting the water.
- Clean the base with a damp cloth.
- Keep all connectors and sockets dry.
- Do not use harsh or abrasive cleansers or solvents.
- The Cool Touch kettle has a seamless stainless steel body and a plastic housing with no openings between the element and the body. This means it's easy to clean and very hygienic.

To contact customer service, please call **1-800-575-9885** Monday-Friday, 8 am-5 pm PST or email at: techsupport@rosewill.com

To avoid any danger or damage, do not disassemble or repair the kettle by yourself.



PRODUCT SPECIFICATIONS

Part Number	96-268-082 (white)	96-268-081 (black)
Model	RHKT-15001	RHKT-15002
Dimensions	6.42" x 8.15" x 10.59"	
Storage / Size	1.5 L	
Voltage	120V	
Power	1500W	
Weight	2.7 lb	
Cord Plug	2-Prong USA	
Cord Length	35.43 inches	
Color	White or black	
Material / Finish	Stainless steel inside, plastic outside	