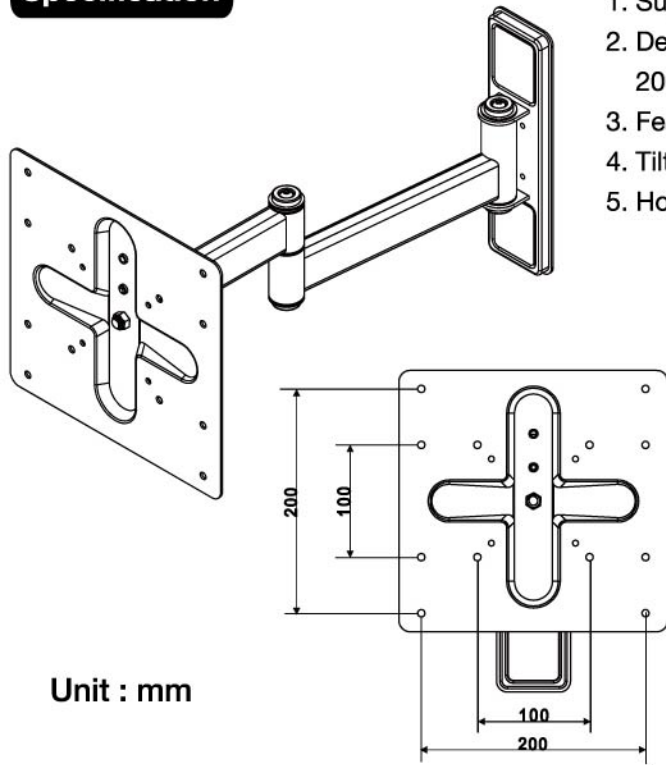


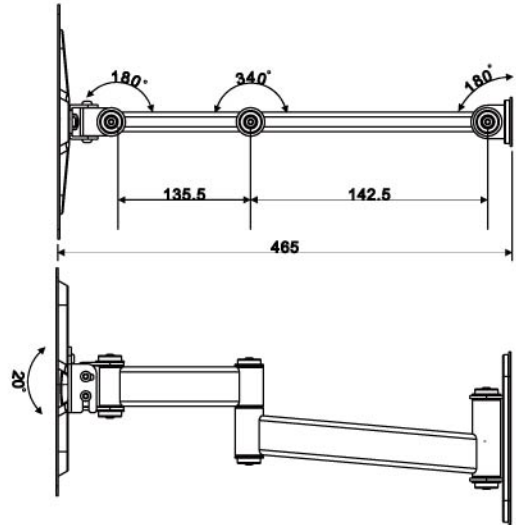
LCD Monitor Arms

Specification

1. Supports up to 32" TV'S(Max and weight 32kgs/70lbs)
2. Designed for all VESA compliant TV's:75X75,100X100,200X100, 200X200 mm
3. Features horizontal level adjustment:20 degrees
4. Tilting adjustment:-5~15 degrees
5. Horizontal moving dist:+-465mm



Unit : mm



Function

Item	1	2	3	4	5	6	7	8	9	10	11	12	13	14	15
Parts															
						M4x8	M4x12	M6x10	M4x25		M6			M4	M6x15
QTY	1	1	3	4	4	4	4	4	4	4	7	1	2	4	4

CAUTION :

- This wall mount is intended for use only with the maximum weight use with heavier than the maximum weights indicated may result in instability causing possible injury.
- Be aware if the specification as first page.
- Please choose the thickness of solid column over 100mm/4"
- Please evaluate the wall material whether is stable for installation.
- unplug all the cables off the TV.

LCD Monitor Arms

Installation

I.

Select	
6	M4x8
7	M4x12
9+14	M4x25
15	M6x15

II.

Wooden Wall

X4

26 134 26

4

Concrete Wall

5

26 134 26

6x10mm

III.

IV.

X.

To power or computer

Adjustable level

Control tension of articulating arm.

Adjustable angle