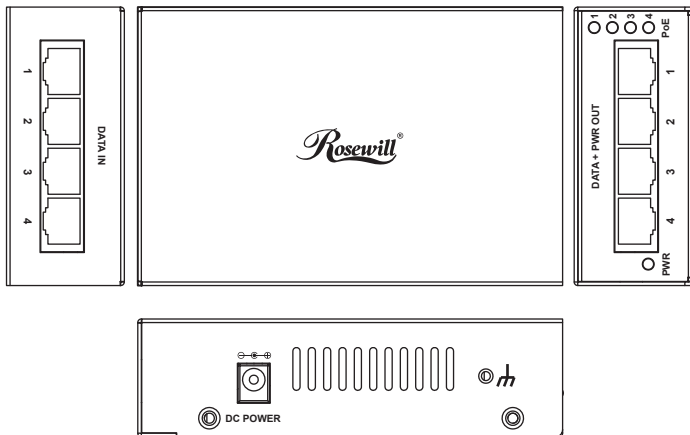


DEVICE LAYOUT



LED INDICATORS

LED Indicator	Color	Status	Operation
PWR	Green	On	Ultra PoE Injector is on.
		Off	Ultra PoE Injector is off.
PoE (1-4)	Green	On	PoE function is enabled.
		Off	PoE function is disabled.

FCC STATEMENT

This device has been tested and found to comply with limits for a Class A digital device, pursuant to Part 15 of FCC Rules. These limits are designed to provide reasonable protection against harmful interference when the equipment is operated in a commercial environment. This equipment generates and radiates radio frequency energy and, if not installed and used in accordance with the user manual, may cause interference in which case users will be required to correct interference at their own expense.



CE MARK WARNING

This is a Class A product. In a domestic environment, this product may cause radio interference, in which case the user may be required to take adequate measures.



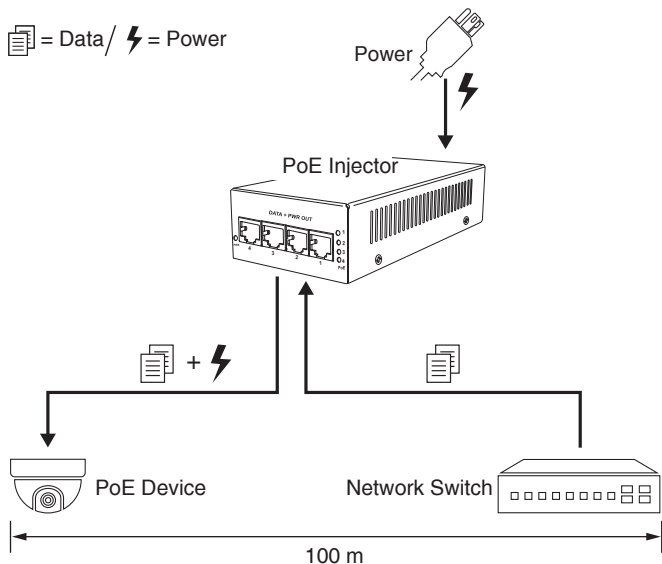
HARDWARE INSTALLATION

1. Plug the power cord into the device and the other end into an electrical outlet. "PWR" LED will be on.
2. Connect the RJ45 cable from the "Data In" port on the Injector Hub to the Ethernet port of your switch.
3. Connect your IEEE 802.3af/at compliant Powered Devices (PD) to the "PoE Out" port on the Injector Hub with suitable network cable. The device will automatically supply power to remote PD. Now, "PoE" LED indicators will be on.
4. Ensure the PDs are on and all Ethernet cables are connected correctly and tightly.

PACKAGE CONTENTS

- 1 x RNWA-PoE-4065, 4-Port Gigabit Power over Ethernet (PoE) Injector Hub
- 1 x 65 Watts Power Adapter
- 1 x Power Cord
- 1 x User Manual
- 4 x Rubber Feet

APPLICATION DIAGRAM



GROUNDING (RECOMMENDED)

RNWA-PoE-4065 provides ancillary grounding to enhance electrostatic discharge (ESD) protection.

1. Loosen the ground screw and secure a ground wire (not included) to the grounding point.
2. Secure the other end of the ground wire to a grounding block or other grounded structure.

PRODUCT SPECIFICATIONS

Standard Compliance	IEEE 802.3 10BASE-T IEEE 802.3u 100BASE-TX IEEE 802.3ab 1000BASE-T IEEE 802.3af/at Power over Ethernet
PoE Power Supply Type	Endspan, 1/2(+), 3/6(-)
Interface	Data In Ports / PoE Out Ports 4 x 10/100/1000BASE-T RJ45 Auto-MDI/MDI-X Ports 4 x 10/100/1000BASE-T RJ45 Auto-MDI/MDI-X Ports
PoE Power Output	Per Port 56VDC, Max. 30 Watts
Total Power Consumption	65 Watts
Power Requirement	56VDC External Power Adapter
LED Indicators	1 x PWR LED 4 x PoE LEDs
Dimensions	120 x 78 x 32 mm (4.72 x 3.07 x 1.26 in)
Weight	280g (9.88oz)
Operating Environment	Operating: 0°C to 40°C (32°F to 104°F) Storage: -20°C to 70°C (-4°F to 158°F) Humidity: 20 to 95% (Non-Condensing)

Note: If you connect to a legacy device that is not PoE compatible, RNWA-PoE-4065 will not deliver power to the legacy device. This feature allows you to freely and safely mix legacy and PoE compatible devices on your network.

