

# RNX-N150NUBv2

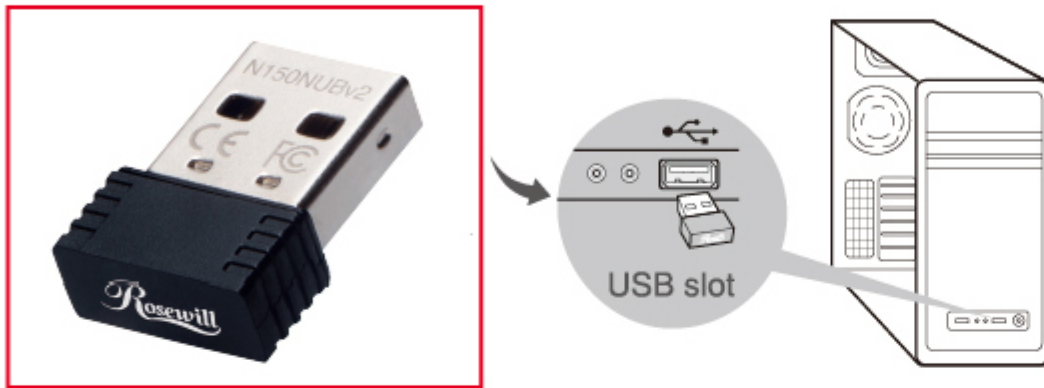
## Wireless N150 Nano USB Adapter

\* Image may differ from actual product.

Rosewill Technical Support Information  
techsupport@rosewill.com 1-800-575-9885

Thank you for purchasing a quality Rosewill Product.  
Please register your product at [www.rosewill.com](http://www.rosewill.com)  
for complete warranty information and future support for your product.

### 1 Connect to a Computer



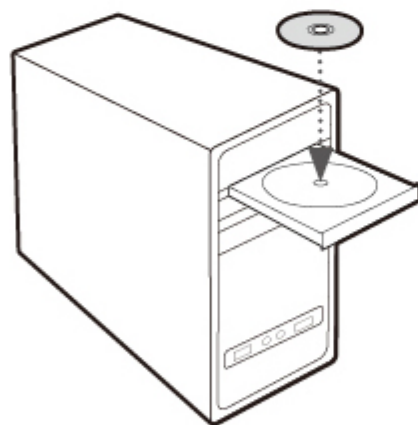
Insert the adapter into an empty USB 2.0/3.0 port on your computer when it is switched on.

Note: In Windows XP, a Found New Hardware Wizard window will appear when the adapter is detected. Please click Cancel.

### 2 Install Driver and Utility

A. Insert the CD, browse the folder and double-click Setup.exe.

Note: You can also download the driver and utility at [www.rosewill.com](http://www.rosewill.com).



B. The Install Shield Wizard will pop out. Click Next to continue and follow the instructions to finish it. Then restart the computer to complete the installation.



### 3 Connect to Wireless Network

Join by Windows Wireless Utility

1. Click Wi-Fi icon at the bottom right corner in Windows.
2. Select desired Wi-Fi network and click Connect.
3. If the network is unencrypted, you will directly connect to it. If the network is encrypted, enter the password (network security key) and then click Next to connect.

