

Wall-Mounted 2-Post Open Frame Rack Series

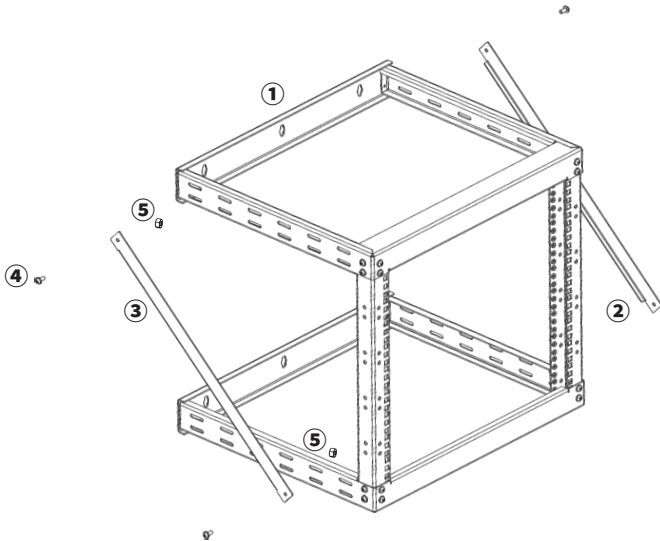
RSR-2P6U001 / RSR-2P9U001 / RSR-2P12U002

User Manual

We'll continue to improve the user manual and update it on Rosewill.com, any feedback from you will be appreciated.

Section 1: Parts Identification

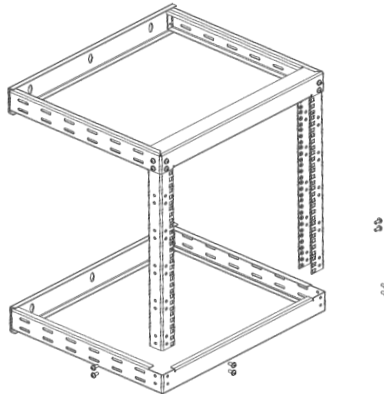
S/N	Name	Qty.(pcs)		
		6U	9U	12U
1.1 Rack Components				
①	Top or Bottom Panel Frame	2	2	2
②	Vertical Mounting Dual Rails	2	2	2
③	Right or Left-Side Support Strap	0	2	2
1.2 Rack Assembly Hardware				
④	M6x12mm Phillips Head Screws	20	20	20
⑤	M6 nut	20	20	20
1.3 Equipment Mounting Hardware				
⑥	M6x12mm Phillips Head Screws & Nuts	12	12	12
⑦	#12-24 Screws	12	12	12
⑧	M6 Exposure Bolt	4	4	4



Section 2: Rack Assembly

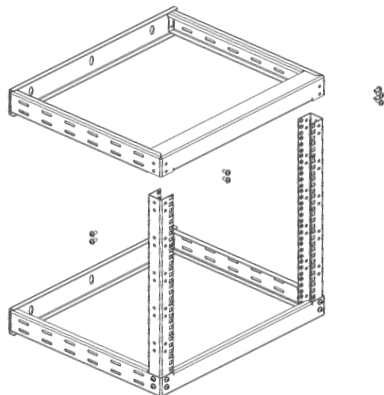
WARNING: Do not attempt to mount the rack to the wall with equipment mounted to the rack.

Step 1 Insert one end of the vertical mounting rails into the corners of the bottom panel frame (both pane frames can be used as a top or bottom) opposite the mounting side and secure them with 2 of the M6x12mm Phillips head screws and M6 nut on each side.

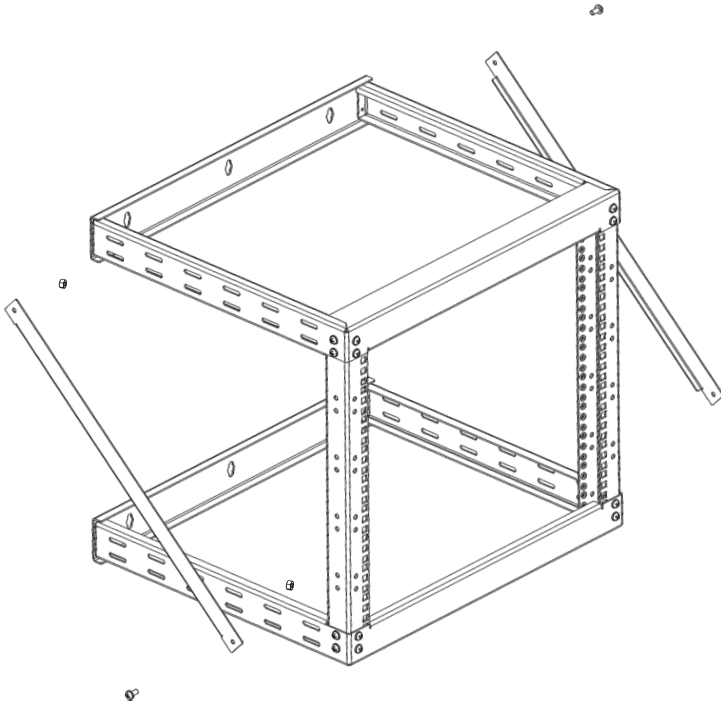


NOTE: The user can choose M6 Square Hole or #12-24 Threaded Hole as the equipment mounting hole option, ensure left and right rails have same hole facing the front.

Step 2 Insert the other end of the vertical mounting rails into the corners of the top panel frame opposite the mounting side and secure them with 2 of the M6x12mm Phillips head screws and M6 nut on each side.



Step **3** Attached the right-side and left-side support straps by securing 4 of the M6x12mm Phillips head screws and M6 nut to the top panel frame and vertical mounting rails.



Congratulations! You have finished the installation of the wall mounted 2-Post open frame rack.



Rosewill® Technical Support Information
techsupport@rosewill.com 1-800-575-9885

*Thank you for purchasing a quality Rosewill product.
Please register your product at: www.rosewill.com
for complete warranty information and support for your product.*