

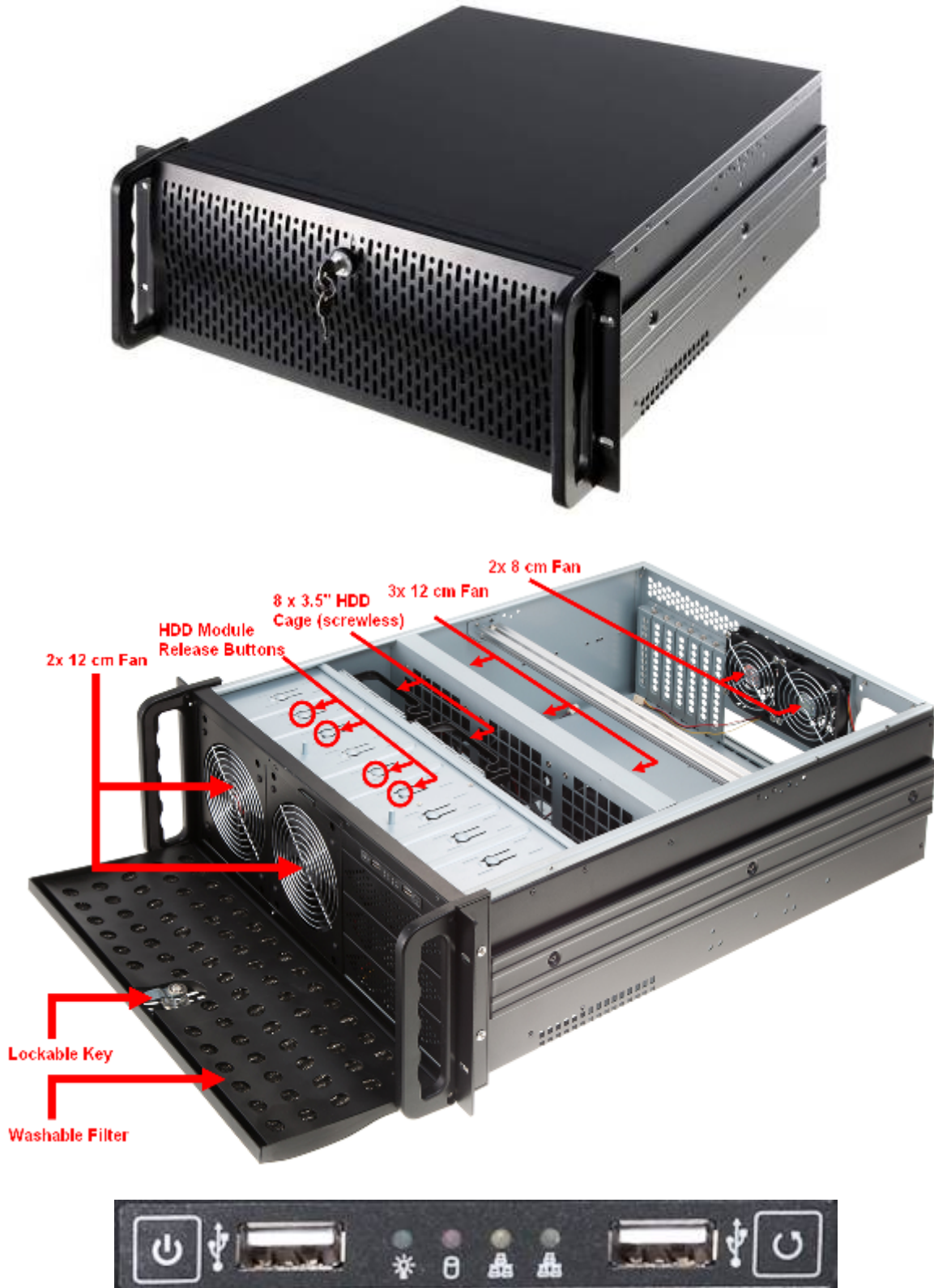


SERVER RSV-L4000
User Manual

Contents

Product Overview	2
Introduction.....	3
Feature.....	3
Specification	3
Installation Guide.....	4
Top Cover Disassembly	4
3.5” Device Installation	5
Server Rail Installation	7
5.25” ODD Installation	8

Product Overview



Introduction

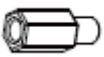



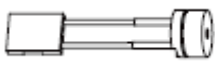
RSV-L4000 is a 4U rackmount industrial chassis for various kinds of server computer which supports any E-ATX (12" x 13") and below form factor motherboard design and PS2 power supply. In addition, RSV-L4000 has a large-scale fan filter and easy-to-use knob key for great serviceability of the system.

Feature

- Carries 8 x internal 3.5" HDD and 3 x 5.25" devices (which can switch to a 3.5" HDD x 4 module) totally.
- Best cooling design carry up to front 120 mm front cooling fan x5 and 80 mm back cooling fan x2 max (all 7 are included in RSV-L4000).
- Front door with key lock for better security.
- Special design of fixing PCI card in the system (7 pieces max).
- Dual USB 2.0 connector in front panel.

Specification

Chassis Type	Rackmount
Color	Black
Case Material	Metal/ Steel, 1.0 mm thickness
Motherboard Compatibility	12" x 13" E-ATX and below
Form Factor	4U
Cooling System	
80mm Fans	2 max (All 2 80mm Fans included)
120mm Fans	5 max (All 5 120 mm Fans included)
Expansion	
Internal 5.25" Drive Bays	3
Internal 3.5" Drive Bays	8
Expansion Slots	7
Physical Spec	
Control & Indicator	1 xPower switch +1x Reset switch 1 x LED (power) +1 x LED (HDD), 2 x LED (LAN) 2 x2.0 USB
Dimensions(L x W x H)	25" x 16.8" x 7.0" inches (635 x 427 x 178 mm)
Weight	Net Weight : 31.9 lbs. (14.5kg) Gross Weight : 39.8 lbs (18.0kg)
Package Contents	RSV-L4000 Server Case; Keys; Screws; Other Accessories

PIC	ITEM	PURPOSE	PIC	ITEM	PURPOSE
	MOTHERBOARD STANDOFF x 12	MOTHERBOARD		RAIL x 6	HDD MODULE ODD RAIL
	SCREWS x 6	POWER SUPPLY			
	SCREWS x 20	MOTHERBOARD		Buzzer x 1 (PC Speaker)	MOTHERBOARD

Installation Guide

Top Cover Disassembly



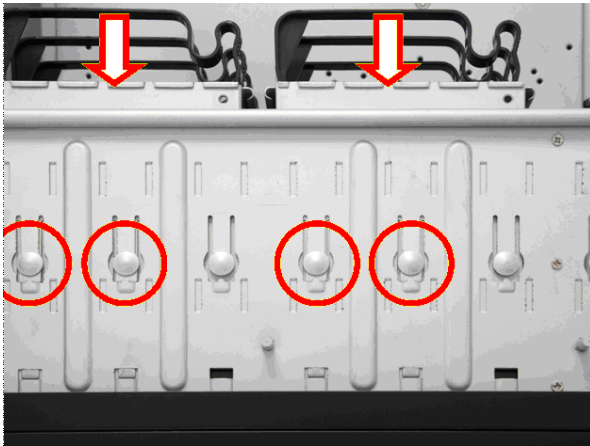
1. Remove the screws from each side of the Chassis. (two on each side)



2. Once the screws removed, push the top cover to remove from the chassis.



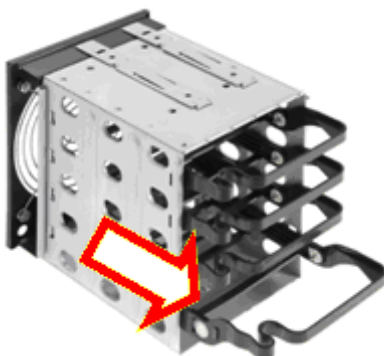
3.5" Device Installation



1. First press the two round shape button using your thumbs, then use your index finger to push the 3.5" module to remove it.



2. Pull the module out from the front.



3. Pull the HDD tray out from the module to begin installation.



4. The HDD tray can be easily clipped onto 3.5" HDD.



5. To complete the 3.5"HDD installation, push the HDD tray back into the module, then push the module back to the chassis.

Server Rail Installation



1. In order to install the rail, you must first remove the cover on the side. Three screws locate on each side.

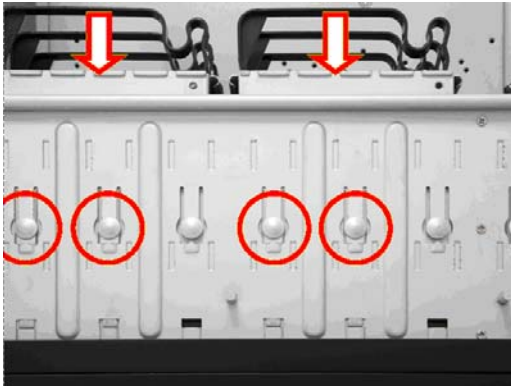


2. Unscrew all three screws on each side.



3. Upon removing the side bar, you will find several screw holes for you to install the server rail.

5.25" ODD Installation



1. First press the two round shape button using your thumbs, then use your index finger to push the middle 3.5" module to remove it.



2. Pull the middle module out from the front panel



3. Using a flathead screw driver to press the Yellow circle to move the front panel out.



4. Press the ODD rail onto both side of the ODD.



5. You can slide the ODD back in to complete the installation.

Make sure the round shape button has locked with the ODD rail.

You can also remove the ODD by pressing the button, then pull out.

Rosewill[®]

www.rosewill.com

Thank you for purchasing a quality Rosewill Product.

Please register your product at: www.rosewill.com for complete warranty information and future support for your product.