



4U Rackmount Chassis RSV-X4000
User Manual

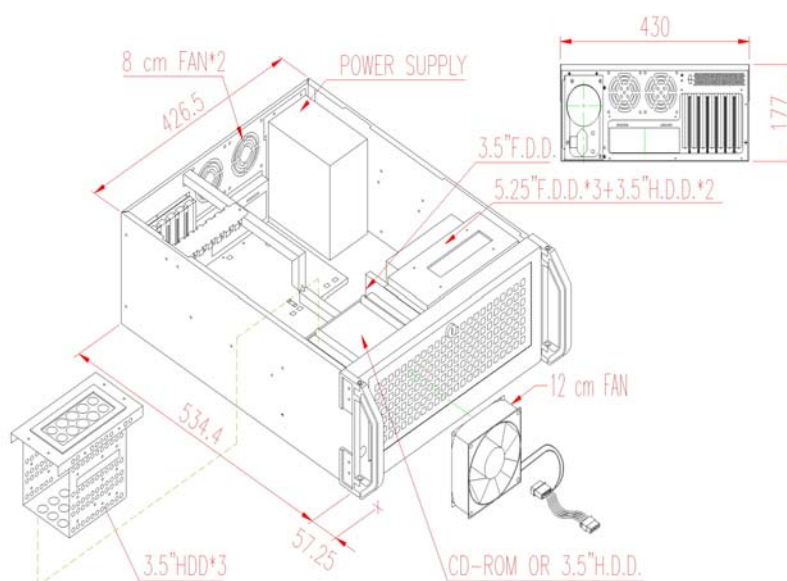


Overview

- Support ATX motherboard
- Lockable front panel door
- Foldable Zink Alloy handle



Exploded Diagram



Product Concept

RSV-X4000 is 19" 4U height rackmount chassis designed for various kinds of server computer. This full sealed and well-ventilated steel chassis is specially designed to withstand heavy shock, dust, humidity, trembling, vibration and extremely high operating temperature in the harsh environment.

Specification

Dimension: 430mm (w) x 177mm (h) x 536mm (d)

Construction: All SECC with Zinc Alloy handle

Motherboard: Full size ATX

Drive bay: 3 x 5.25" & 7 x 3.5"

Indicator: LED display for power on/off and HDD

Cooling Fan: 8cm x 2 (front) & 12cm x 1 (back)

Power Supply: ATX or Redundant PSU (optional)

Extension Slot: 7 slots

Available Color: Silver & Black

System Installation

Removing top cover

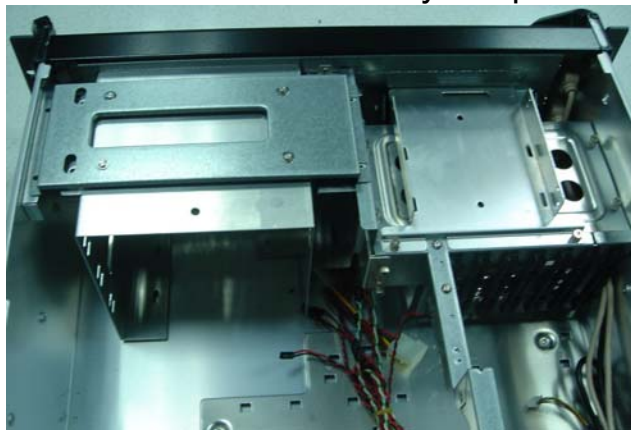
The top cover is fixed to the chassis by four screws.

- Release screws on the chassis
- Slide the cover out
- Lift up the cover and gently remove the top cover



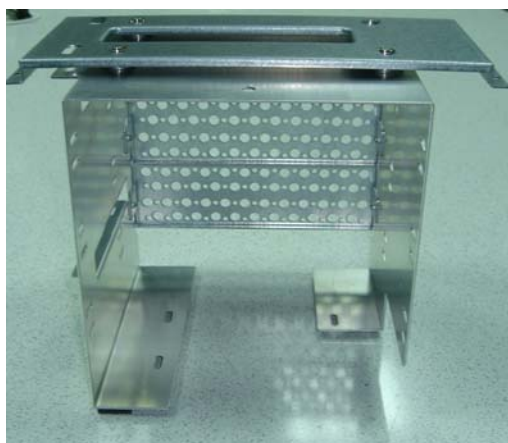
Install Storage Device

User may customize the installation of storage device. Basically, 3 x 5.25" and 7 x 3.5" bay are provided.



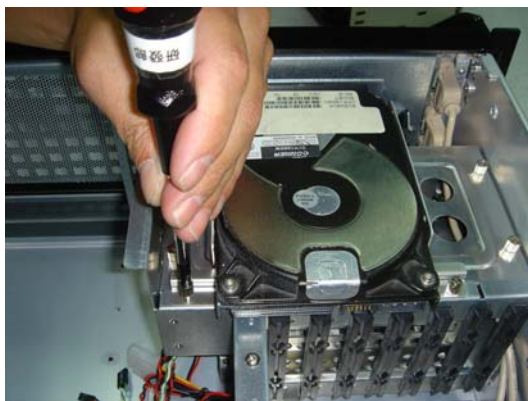
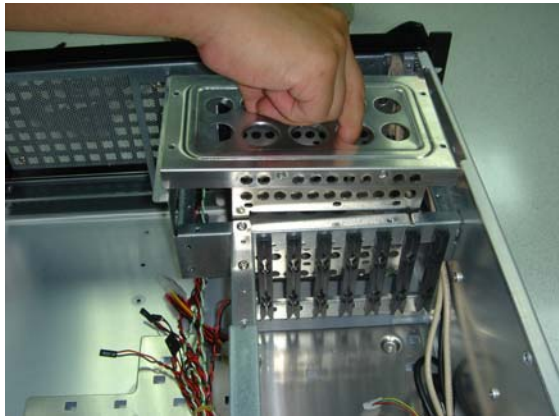
5.25" drive bracket installation

- Unfasten screws of on the top of drive bracket.
- Remove drive bracket from chassis.
- Install 3 x 5.25" device into front 5.25" drive bay
- Remove 3.5" drive bay front cover
- Install 3.5" device into the bottom 3.5" drive bay
- Install another 3.5" device on the right side of bracket.



3.5" drive bracket installation

- Remove the screws of on the top of drive bracket.
- Drive bracket being removed
- Install 3 x 3.5" device into 3.5 drive bay and secure it
- User may house in the device bracket into the chassis and fasten all screws.



Install Add-On Card

- Apply add-on cards onto the slots
- Secure add-on cards on card retainer
- CPU, memory and other devices can be mounted at this stage on the convenience of user.

Thank you for purchasing a quality Rosewill Product.

Please register your product at : www.rosewill.com for complete warranty information and future support for your product.