

Rosewill[®]

[RX353 Series]



3.5" SATA HDD to USB & eSATA
Ext. Enclosure w/Int.50mm fan
User Manual

FEATURES

- Support up to 1000GB
- Front Panel Light beam affiliated Power ON/OFF switch
- Power On/Off for internal cooling fan
- OS Supports Win2000/ME/XP/VISTA, and Mac OS 8.6/9.x/10.x and above and Linux kernel after 2.4.1.0
- Power: 100~240 AC Adapter with 12V/DC output
- SATA to USB 2.0, Back ward compatible to USB 1.1
- Plug & Play and Hot-Swappable
- Support SATA I/II to eSATA interface
- Material: Rigid Aluminum Body and ABS plastic panel
- Dimension: (LxWxH) 229x124x33mm

NOTICE

Enable Hot-Swap function:

In order to enable HOT-SWAP function, please check to make sure the Motherboard supports HOT-SWAP function. Otherwise, the hot swappable Function won't be work as well. (Please refer back to motherboard user guide)

Hardware Assembly Guide

Please register your product at www.rosewill.com for complete warranty information and future support.

If you have any question while using our products, please feel free to contact us at feedback@rosewill.com .

We will do our best to help you.

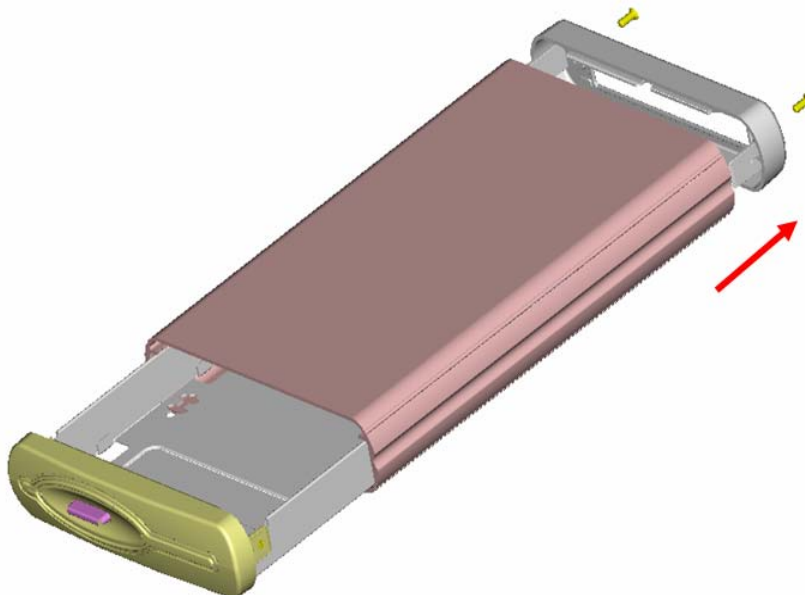
Thank you for purchasing our product and we hope you will enjoy it

Thank you for purchasing a quality Rosewill Product.

Please register your product at: www.rosewill.com for complete warranty information and future support for your product.

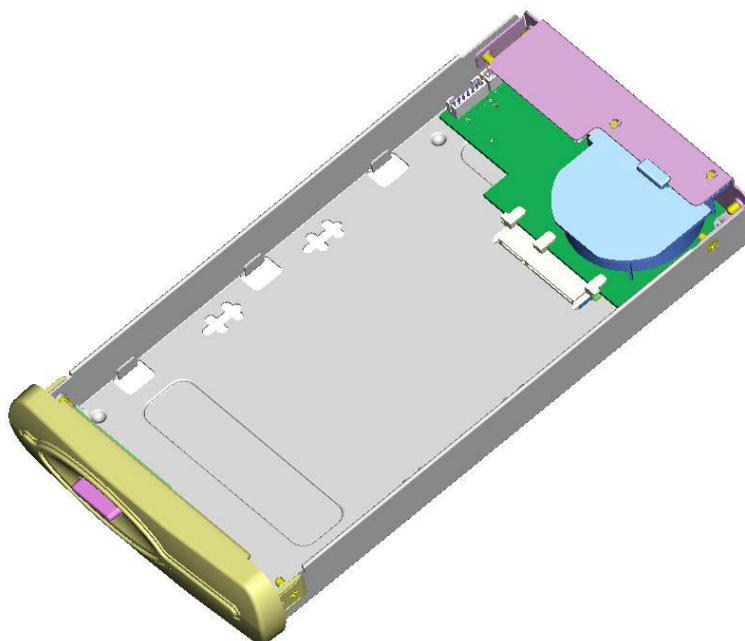
STEP1

Take out the enclosure from Aluminum cover.



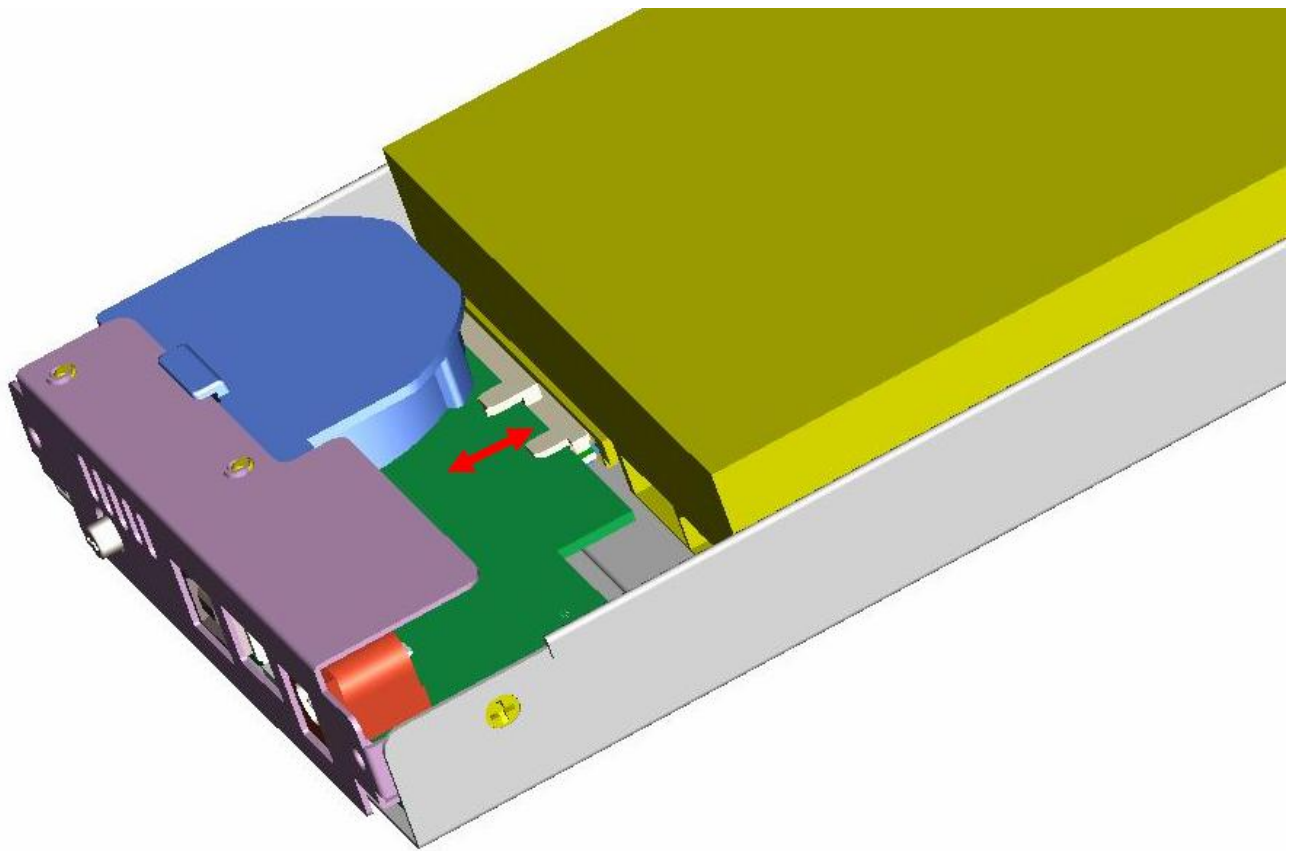
STEP2

You will see the internal structure of the Enclosure.



STEP3

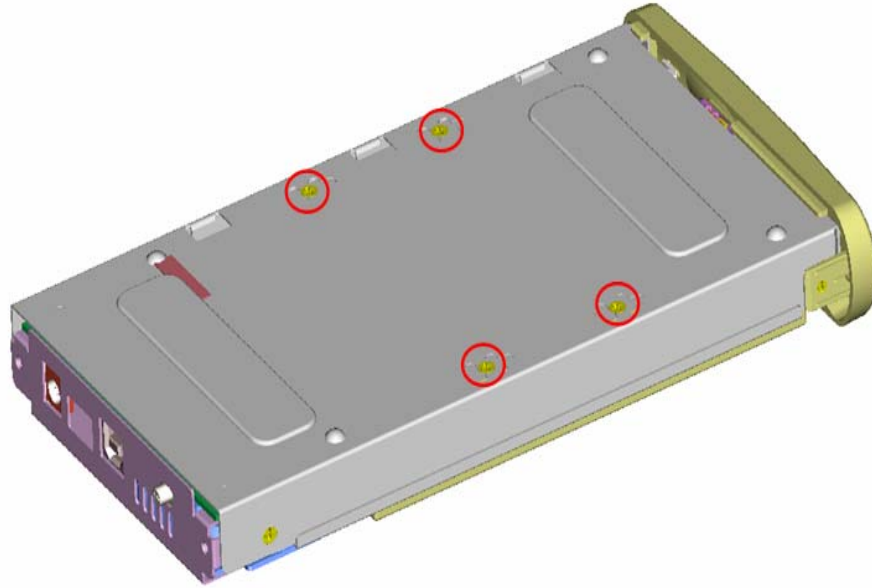
Fit the 3.5" HDD SATA connector into PCB's SATA connector.



Push the HDD toward the PCB and make sure the connector is well connected.

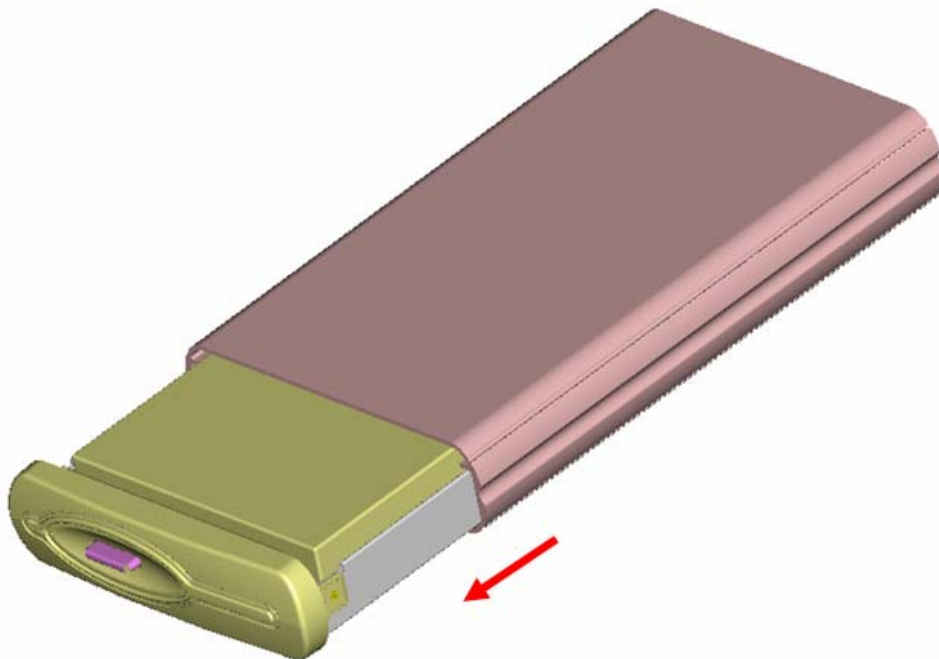
STEP4

Screw the HDD on the enclosure tightly.



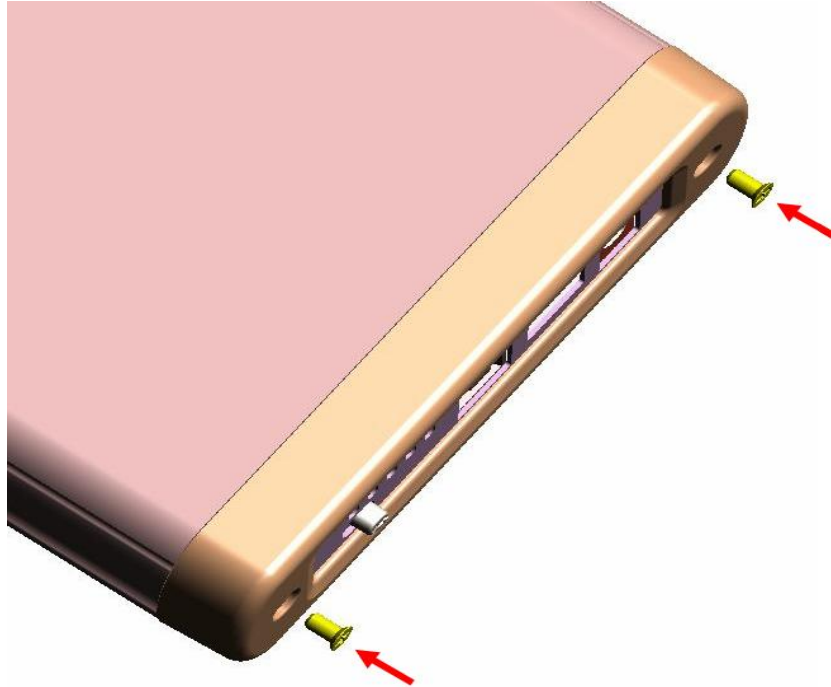
STEP5

Push the HDD prop into the Aluminum Cover.



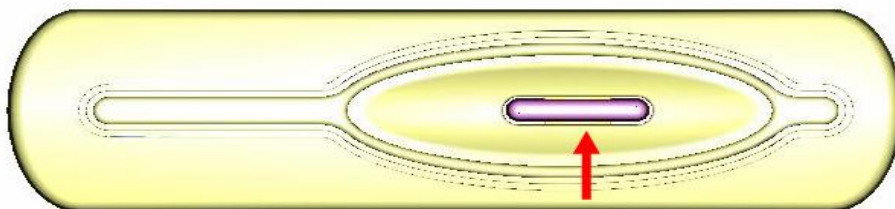
STEP6

Please install both screws



STEP7

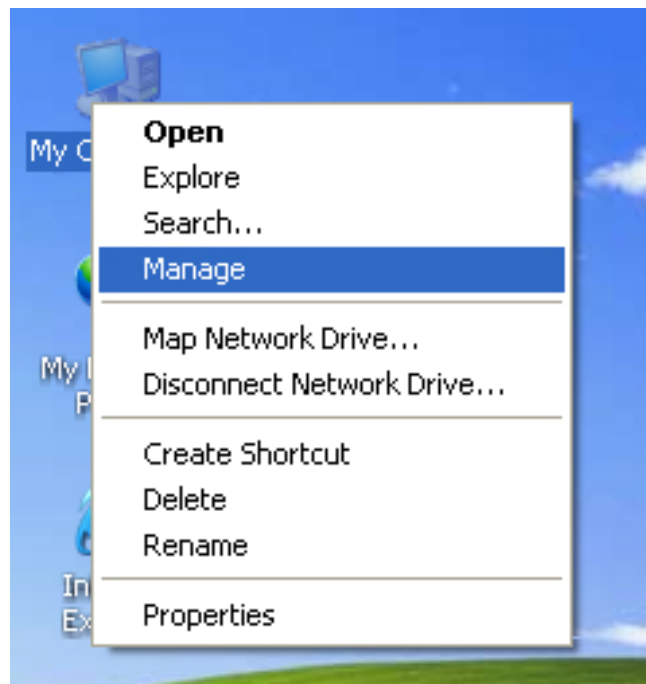
Press the LED switch for power on/off.



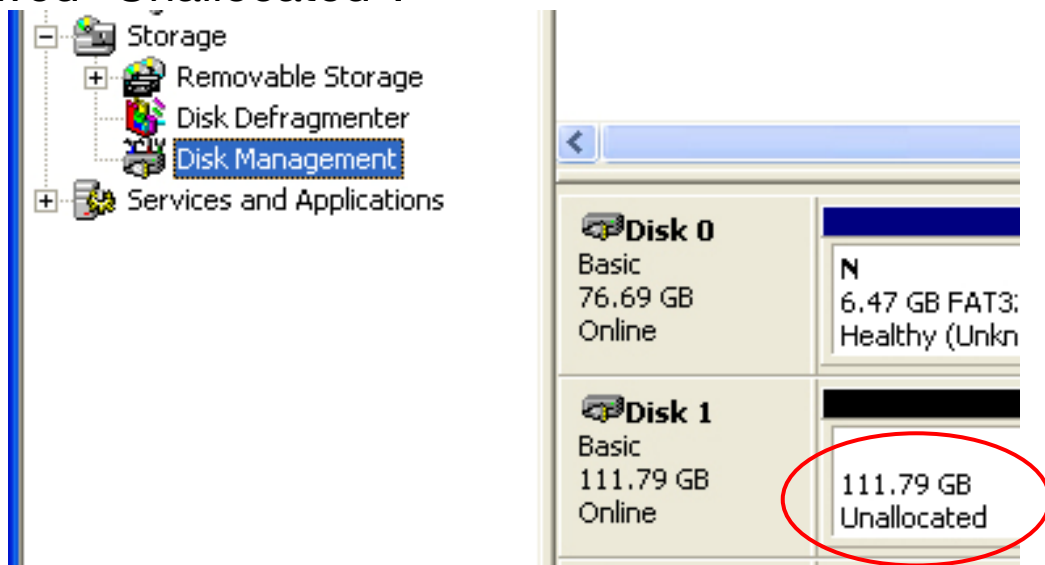
HDD Formatting Guide

- You may format your external HDD through USB2.0 connection.
- Please make sure your external HDD is turned on and well connected to the PC before formatting the HDD.

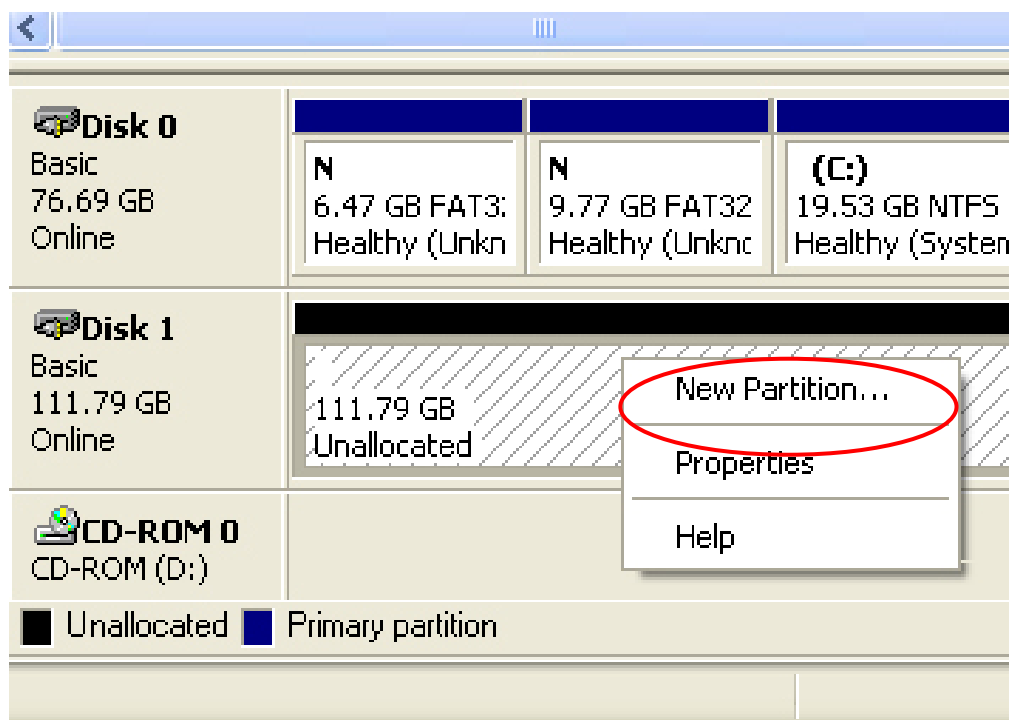
STEP1: Right-click “My Computer” icon and select the “Manage” column.



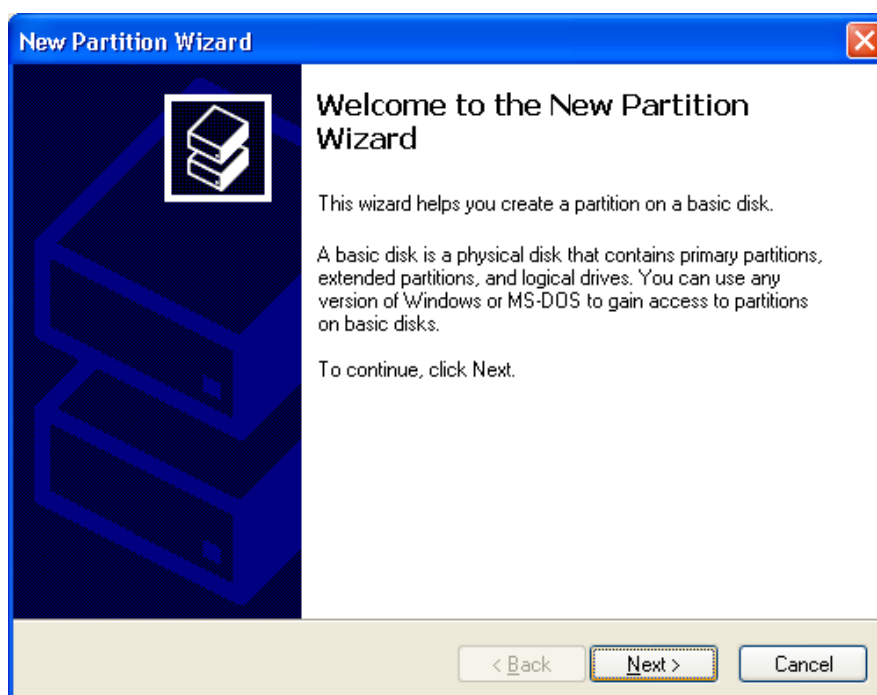
STEP2: Select “Disk Management” and you will see your External HDD showed “Unallocated”.



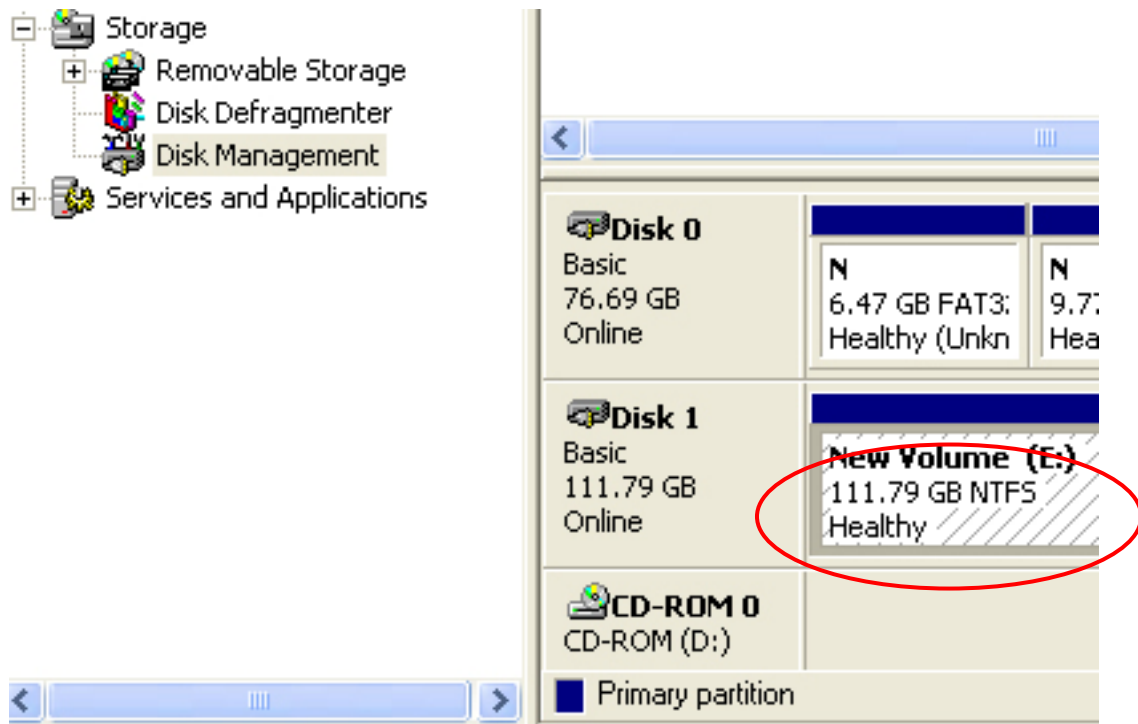
STEP3: Right-click on the “Unallocated” blocks and selects “New Partition”.



STEP4: The “New Partition Wizard” will appear. Please follow the instruction of the wizard to complete.



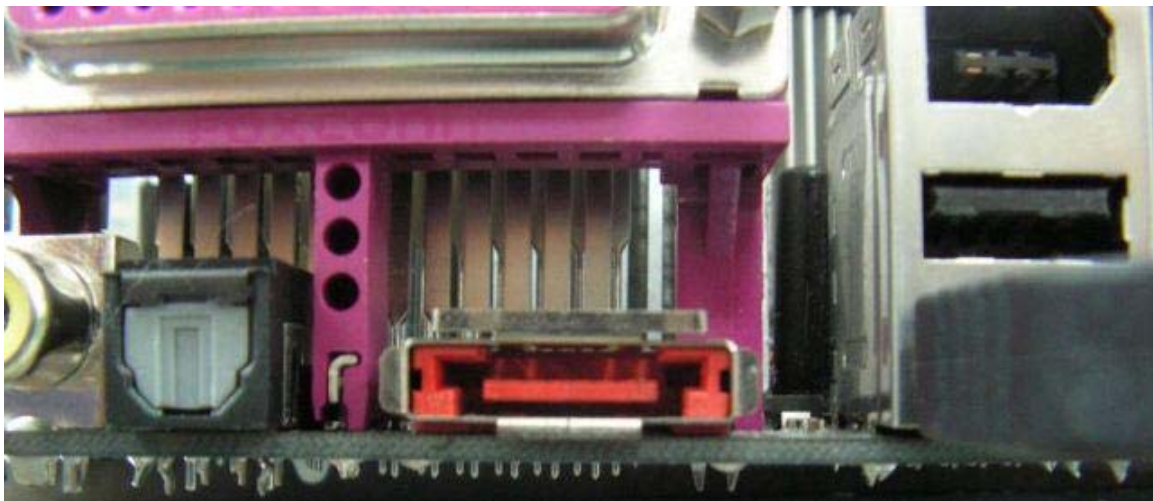
STEP5: When new partition is completed, the external HDD will be recognized as a “New Volume”.



STEP6: Double-click “My Computer”. You will see the new volume appears on your PC.



NOTICE



Question : Does this SATA enclosure support hot swap?

Answer : Yes, but it depends on the motherboard you have.

1. If your motherboard has an eSATA port in the Back I/O Connectors Panel as shown in picture # 1 your hot-swap function is supported and there is no need to install the eSATA bracket. All you need is connecting the enclosure with eSATA port at the back of your computer. You can connect/disconnect the enclosure with your computer at anytime.
2. If your motherboard only comes with an onboard SATA port and no eSATA port available. This mean hot-swap is not supported by your motherboard. You will need to install an eSATA bracket. Since hot-swap is not supported, you must connect the enclosure with the computer while it powered off. The computer will recognize the enclosure during the booting sequences and you should be able to see the drive after MS Windows boot up.