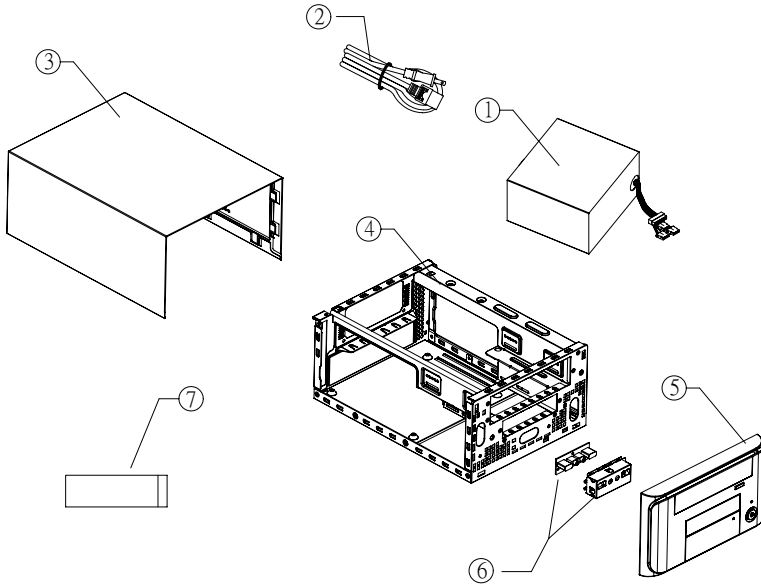


MI SERIES INSTALLATION GUIDE

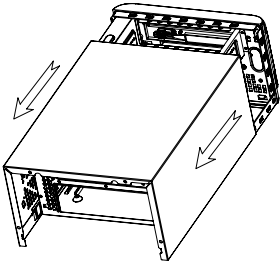
Mechanical Drawing



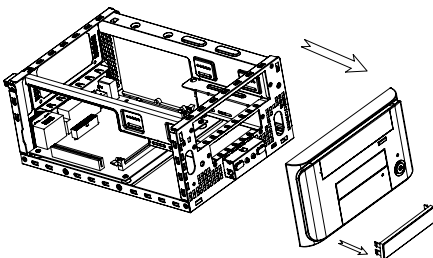
NO.	DESCRIPTION	Q'TY	NOTES
①	Power Supply	1	Option
②	Power Cord	1	Option
③	Top Cover	1	
④	Chassis	1	
⑤	Bezel	1	Reference Only
⑥	USB ASS'Y	1	Option
⑦	Tool Bag		

5.25" & 3.5" DEVICE INSTALLATION

- Loosen four screws on top cover at the back of chassis, then pull back the cover from the chassis.

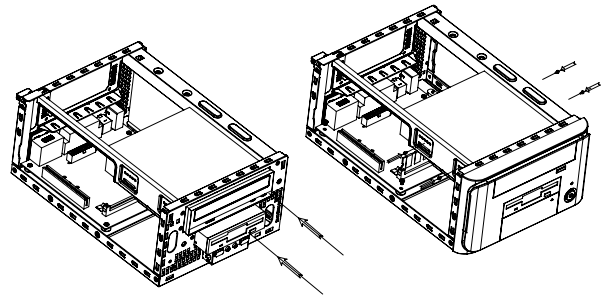


- Remove bezel by pulling from the bottom. Then remove the 3.5" cover.



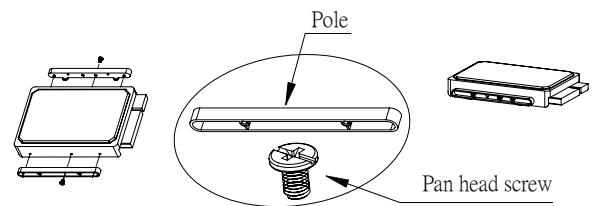
CD(DVD)-ROM & FDD INSTALLATION

- Equip CD-ROM & FDD devices on proper position and lock them tightly with screws.

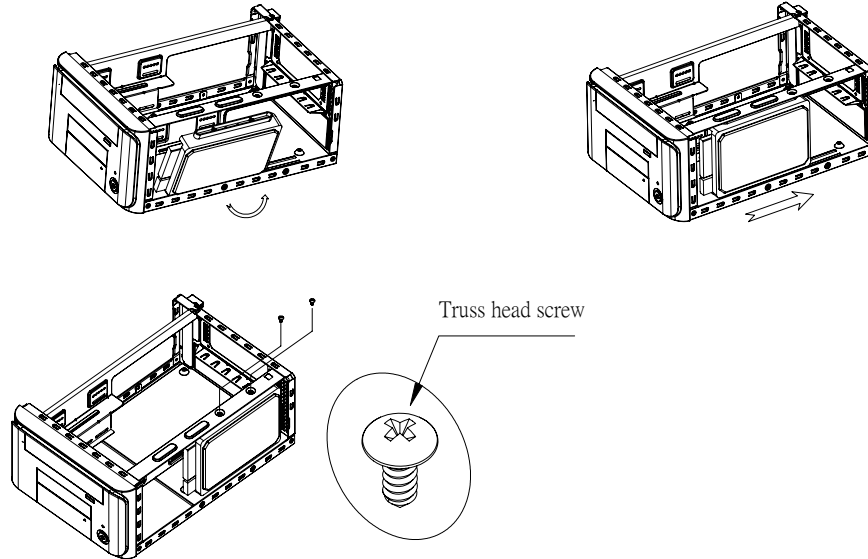


HDD INSTALLATION

- (a) Put the pole to the exact position on the HDD, then fix pan head screws until firmly.



(b)Slide the drive into the tray on the side of the chassis,
then fix the drive with screw .



USB, Audio Connector Installation Instruction

USB Connector Description

Description	Signal	DIAGRAM	Signal	Description
USB Power(+5V) for Port 1	VCC		VCC	USB Power(+5V) for Port 2
USB Negative Signal for Port 1	-D		-D	USB Negative Signal for Port 2
USB Positive Signal for Port 1	+D		+D	USB Positive Signal for Port 2
USB Ground	Ground		Ground	USB Ground
	KEY		NC	

You will find a single 10-pin connector that marked "USB", which is a standard Intel connector based on Intel USB description. Be sure that your M/B's USB header is for standard Intel USB description in order to operate properly. Connect the 10-pin connector to your M/B USB header by consulting your M/B manual to make installation correctly.

Audio Connector Description

Description	Signal	DIAGRAM	Signal	Description
Front Microphone Input Signal	MIC IN		Ground	Front Audio Ground
Front Microphone Power	MIC Power		NC	
Front Right channel Audio Signal	R-OUT		R-RET	Rear Right channel Audio Signal
	NC		Key	
Front Left channel Audio Signal	L-OUT		L-RET	Rear Left channel Audio Signal

This is a standard Intel Audio connector by following Intel Audio pin description. If the front panel audio connector is not connected to the M/B front panel audio header, pins 5,6,9,10 should be jumped on the M/B front panel audio header. (Please consult your M/B manual for instruction) If these jumpers are not installed, the M/B rear panel audio connector may be inoperative.